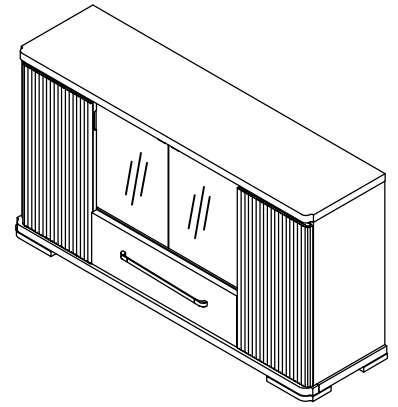


Warning :

- Be sure to check all packing material carefully for small parts, which may have come loose inside the carton during shipment.
- To prevent possible scratches and damage, this furniture must be assembled on a soft surface such as a blanket or carpet.

Characteristics Of Travertine

- Top is handcrafted of natural travertine.
- Honed and sealed for a satin finish with some visible pitting that reveals the beauty and character of each piece.
- Inherent variations in natural travertine color, texture and veining, as well as variance resulting from the hand finishing process, are to be expected. No two items will be exactly alike.
- Travertine has natural pitting of varied location that adds to the stone's character. Larger pits are filled; smaller holes are left unfilled.

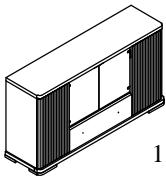
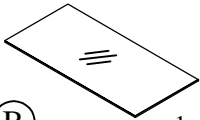





87155 Server-Stone Top

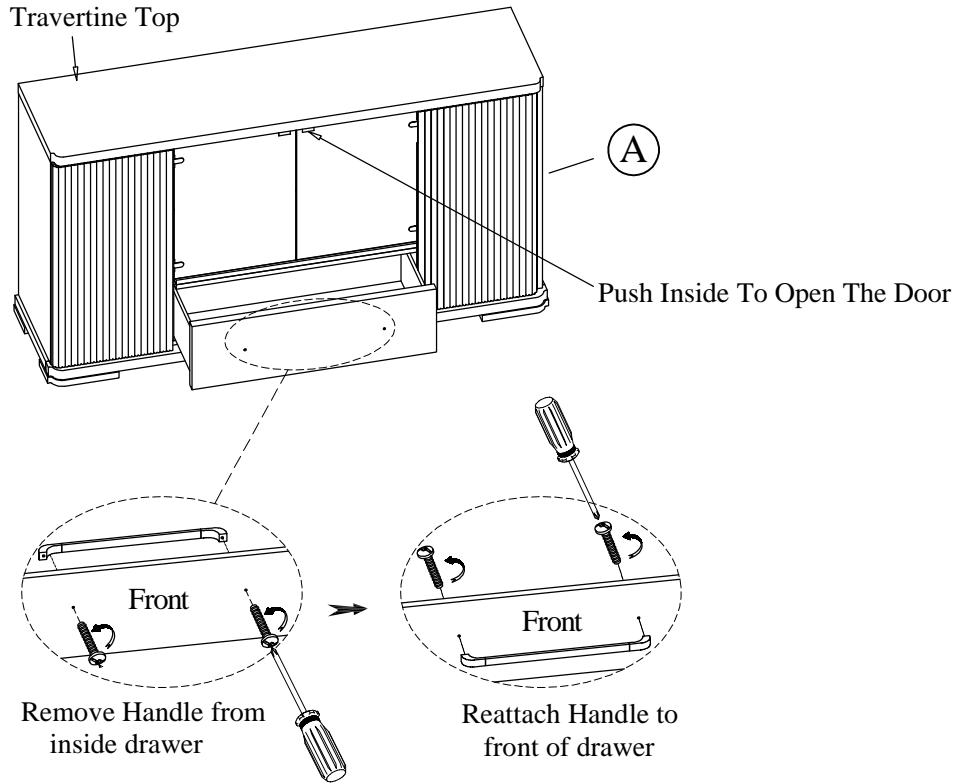
CARE & MAINTENANCE OF TRAVERTINE

- Wash periodically with a clean, damp cloth. If necessary, a small amount of mild dishwashing liquid may be used.
- Travertine has natural pitting that can collect debris; dust regularly or use a soft-bristled brush with water and mild soap.
- Avoid the use of harsh chemicals or abrasive cleaning materials.
- The use of a premium stone resealer is recommended. Apply once a year or as needed.
- Use placemats or trivets under hot items and coasters under beverages to prevent marks and stains.
- Protect the surface from acidic substances like wine, coffee, fruit juice and tomato sauce.
- Wipe spills immediately with a soft, dry cloth.
- As a natural and porous material, travertine can be nicked, stained or scratched; avoid placing sharp or heavy objects on surface.

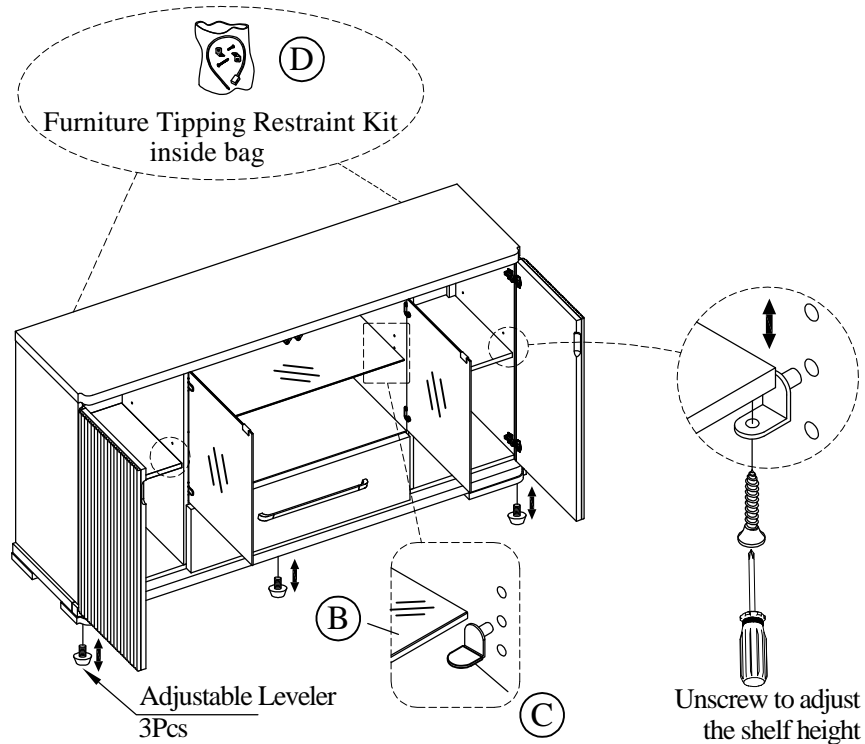
Components and Hardware List

<p>Server-Stone Top</p>  <p>1 pc.</p>	<p>Glass Shelf</p>  <p>1pc.</p>	<p>Shelf Pin + Plastic Cover</p>  <p>4 pcs.</p>	<p>Furniture Tipping Restraint Kit</p>  <p>2 set.</p>	<p>Screw Driver not included</p> 
--	--	--	--	--

STEP 1

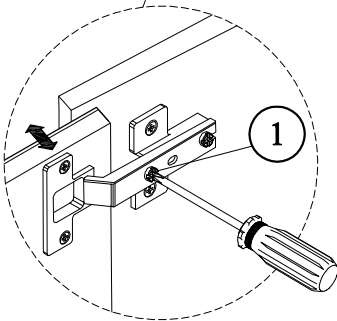
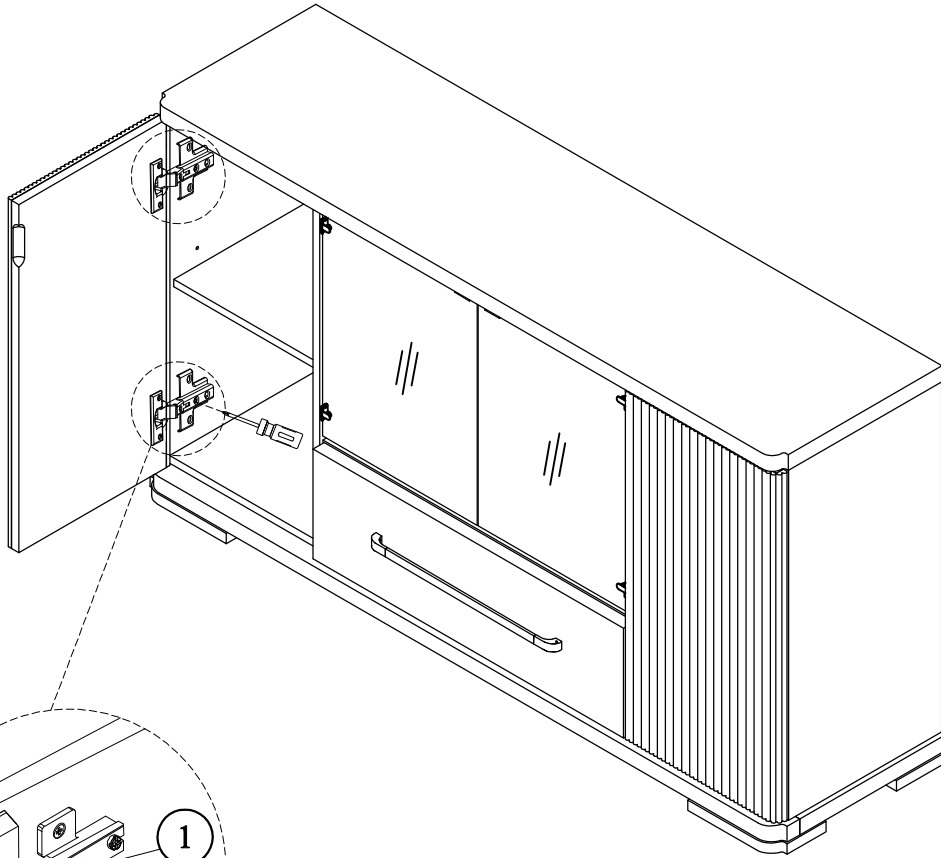


STEP 2

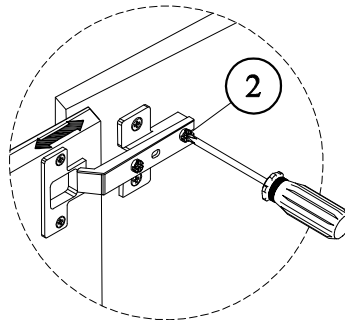


For product and personal safety, two Furniture Tipping Restraint kits have been included with this unit which can help to minimize the risk of the unit accidentally tipping forward, if used and properly installed per the kit manufacturer's instructions.

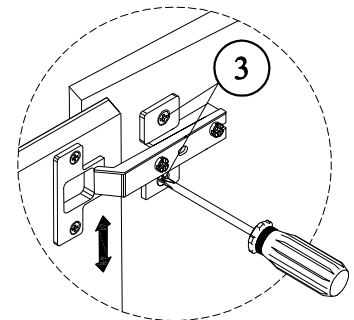
Hinge Adjustment Steps



Door Angle Adjustment
loosen screw 1, adjust gap
with screw 2 and re-tighten
Screw 1.



Horizontal Adjustment
loosen screw 1, push hinge
arm forwards or backwards,
re-tighten screw 1 and secure
Screw 2 with a 1/4 turn
clockwise.



Vertical Adjustment
loosen screw 3, adjust door
height and re-tighten screw 3.

*The doors can be adjusted in all 3 directions to create an even fit between doors on this cabinet. Follow the appropriate directions above to adjust door(s) as necessary.